

FITTINGS



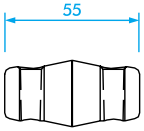

© Prolyte Sales BV. Omke Oudeman

When Prolyte designed the original Conical Coupling System (CCS®), it constituted a huge step forward in the development of truss systems. Even today, the now much-copied Conical Coupling System is unrivalled in efficiency, strength and ease of assembly.

The innovative Conical Coupling System has many advantages over other types of connection systems and has gained a worldwide reputation for excellence and efficiency. The Conical Coupling System is available for all Prolyte truss systems and is deliverable in 3 sizes: CCS4, CCS6 and CCS7. A variety of specials is also available.

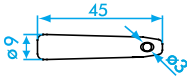

The Conical Coupling System makes the assembly of your truss system safe, fast and easy. The connection is rigid and strong.

FITTINGS CCS4

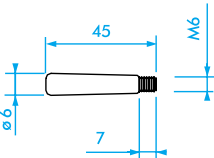

CCS4-400
Conical coupler

Weight = 0,058 kg

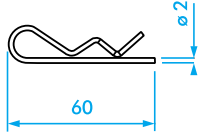

CCS4-403
Spigot

Weight = 0,017 kg
To be used with CCS6-605 safety R-spring

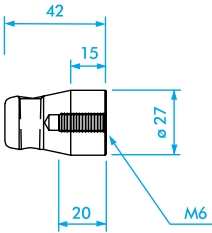

CCS4-404
Spigot with thread M6
CCS4-404RF (stainless steel)

Weight = 0,017 kg
To be used with selflocking nut M6

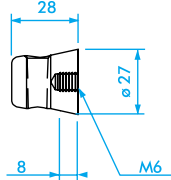

CCS6-605
Safety R-spring

Weight = 0,003 kg

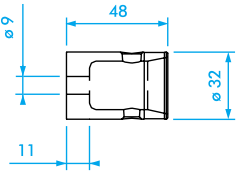

CCS4-402
Offset half conical coupler

Weight = 0,050 kg
Offset 15 mm, thread M6

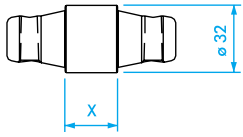

CCS4-450
Half conical coupler

Weight = 0,029 kg
Offset 0 mm, thread M6

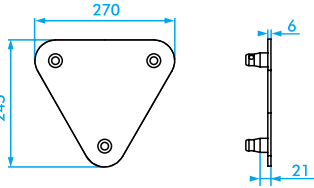

CCS4-451
Female conical coupler

Weight = 0,065 kg
With 9 mm hole for bolts M8

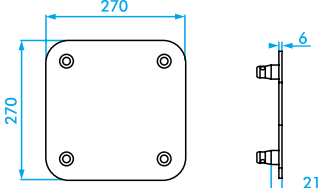

CCS4-S05 through CCS4-S50
Spacers

Weight = 0,070 - 0,170 kg
X= 5 mm to 50 mm in steps of 5 mm

BASE 20D
Baseplate for E20D truss

Weight = 0,740 kg

BASE 20V
Baseplate for E20V truss

Weight = 1,170 kg

CCS6-600
Conical coupler

Weight = 0,148 kg

The Prolyte Hybrid Coupler® is TUV approved.
The Prolyte Hybrid coupler is patented.

CCS6-600-H
Hybrid coupler, standard in Prolyte blue

Weight = 0,160 kg

CCS6-603
Spigot

Weight = 0,042 kg
To be used with CCS6-605 safety R-spring

CCS6-604
Spigot with thread M8
CCS6-604RF (stainless steel)

Weight = 0,040 kg
To be used with selflocking nut M8

CCS6-606
Spigot with collar for easy retraction with truss tool

Weight = 0,041 kg

CCS6-607
Spigot with reduced length

Weight = 0,088 kg

CCS6-608
Spigot with clip, no R-spring needed

Weight = 0,057 kg

CCS6-605
Safety R-spring

Weight = 0,003 kg

CCS6-602
Offset half conical coupler

Weight = 0,116 kg
Offset 19 mm, thread M12

CCS6-650
Half Conical coupler

Weight = 0,069 kg
Offset 0 mm, thread M12

FITTINGS CCS6

CCS6-651
Female conical coupler

Weight = 0,280 kg
With 12,5 mm hole for bolts M12

CCS6-S05 through CCS6-S50
Spacers

Weight = 0,187 - 0,404 kg
X= 5 mm to 50 mm in steps of 5 mm
(minimum of 2 mm)

CCS6-652
Male coupler 600 half, hole M12.
BM-12 x 028-652. Bolt M12 x 028 bolt for CCS6-652

CCS6-653
Female conical coupler

Weight = 0,360 kg
With 12,5 mm hole for bolts M12

CCS6-H

Weight = 0,590 kg
Hinge for MPT Tower or ST Tower, 4 hinges per tower needed. See Black Book "Technical Matters" for the use of hinges in different set-ups.

BASE 30D
Baseplate for X•H30D truss

Weight = 1,160 kg

BASE 30V
Baseplate for X•H30V truss

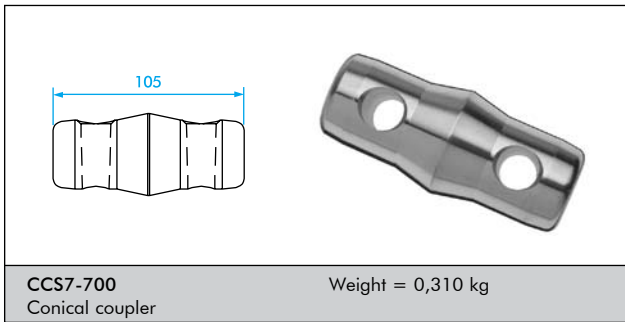
Weight = 1,860 kg

BASE 40D
Baseplate for H40D truss

Weight = 2,700 kg

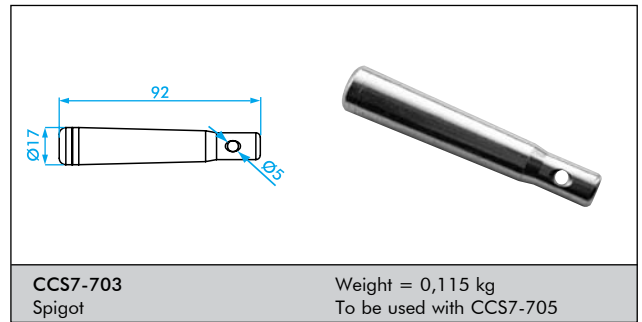
BASE 40V
Baseplate for H40V truss

Weight = 2,820 kg



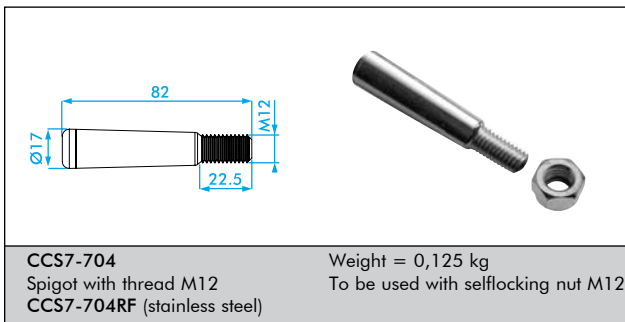
CCS7-700
Conical coupler

Weight = 0,310 kg



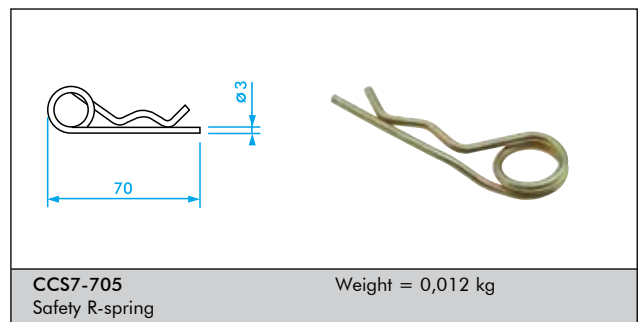
CCS7-703
Spigot

Weight = 0,115 kg
To be used with CCS7-705



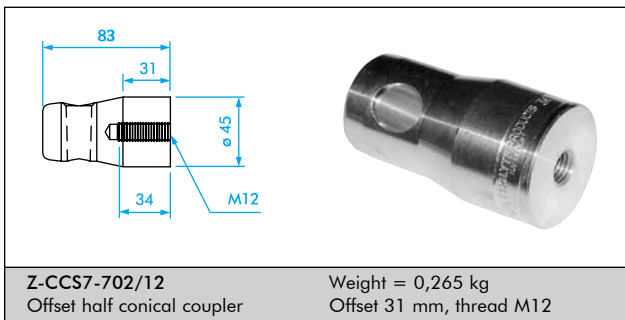
CCS7-704
Spigot with thread M12
CCS7-704RF (stainless steel)

Weight = 0,125 kg
To be used with selflocking nut M12



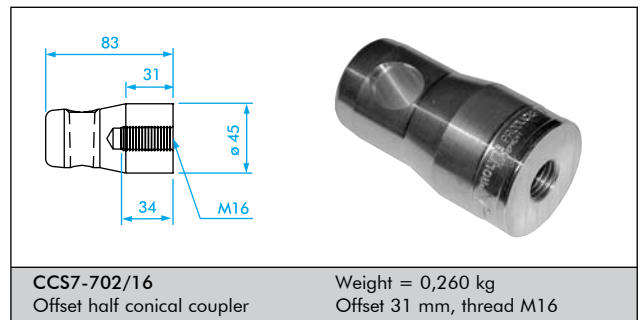
CCS7-705
Safety R-spring

Weight = 0,012 kg



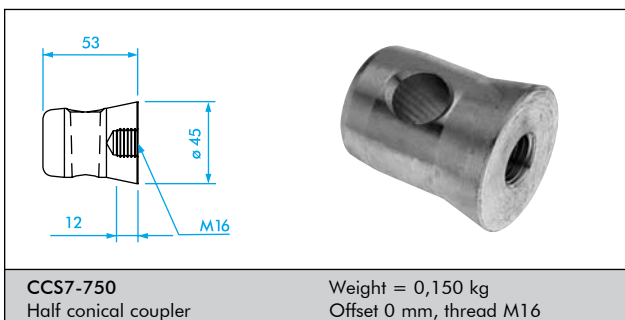
Z-CCS7-702/12
Offset half conical coupler

Weight = 0,265 kg
Offset 31 mm, thread M12



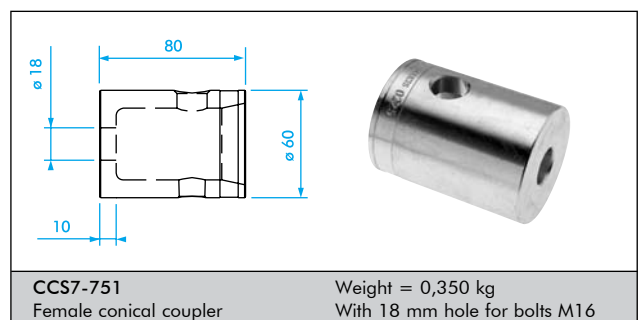
CCS7-702/16
Offset half conical coupler

Weight = 0,260 kg
Offset 31 mm, thread M16



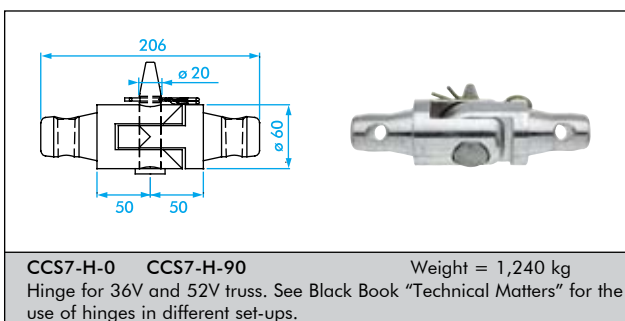
CCS7-750
Half conical coupler

Weight = 0,150 kg
Offset 0 mm, thread M16



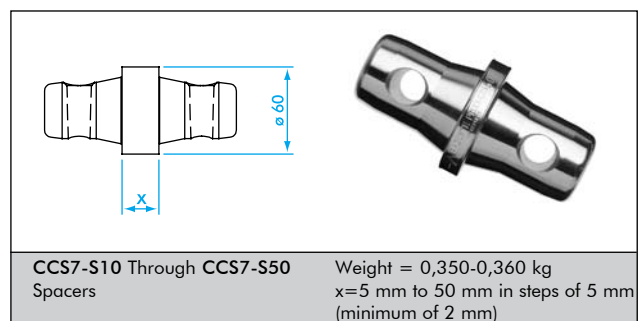
CCS7-751
Female conical coupler

Weight = 0,350 kg
With 18 mm hole for bolts M16



CCS7-H-0 CCS7-H-90
Hinge for 36V and 52V truss. See Black Book "Technical Matters" for the use of hinges in different set-ups.

Weight = 1,240 kg



CCS7-S10 Through CCS7-S50
Spacers

Weight = 0,350-0,360 kg
x=5 mm to 50 mm in steps of 5 mm
(minimum of 2 mm)

FITTINGS CCS7

BASE 36V
Baseplate for 36V truss

Weight = 1,160 kg

BASE 36R
Baseplate for 36R truss

Weight = 1,860 kg

BASE 52V
Baseplate for 52V truss

Weight = 2,700 kg

CCS7-H-FM-BOLT

Weight = 0,326 kg